

Technical data sheet



Product features

Cooling cabinet 130 l glass door 2x shelf, stainless steel

Model	SAP Code	00013174
--------------	-----------------	----------



- Chamber volume [l]: 130
- Minimum device temperature [°C]: 0
- Maximum device temperature [°C]: 10
- Insulation thickness [mm]: 40
- Control type: Digital
- Door lock: Yes
- Opening of device: Two-sided
- Annual energy consumption [kWh]: 231

SAP Code	00013174	Chamber volume [l]	130
Net Width [mm]	600	Gross Volume [m3]	0.425
Net Depth [mm]	615	Net Volume [m3]	0.315
Net Height [mm]	855	Minimum device temperature [°C]	0
Net Weight [kg]	46.00	Maximum device temperature [°C]	10
Power electric [kW]	0.158	Refrigerant	R290
Loading	230 V / 1N - 50 Hz	Refrigerant weight [g]	46.00
Energy class	B	Climate class	3

Technical data sheet



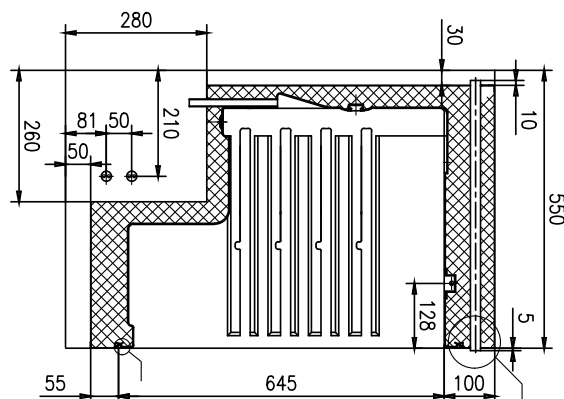
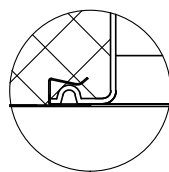
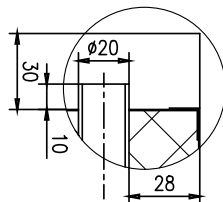
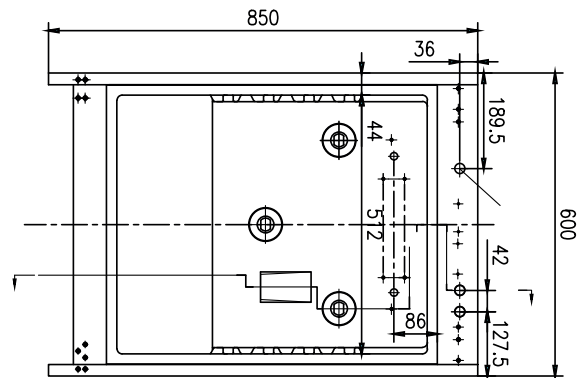
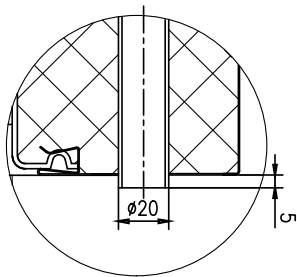
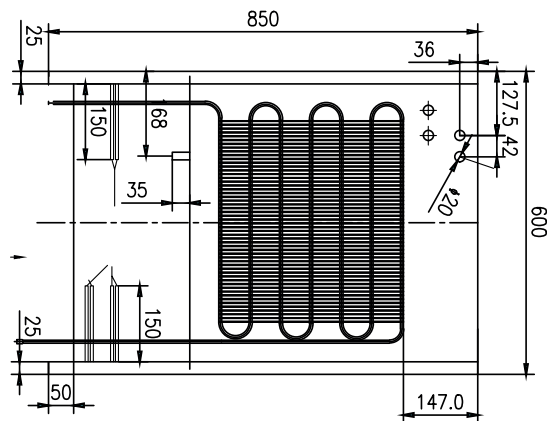
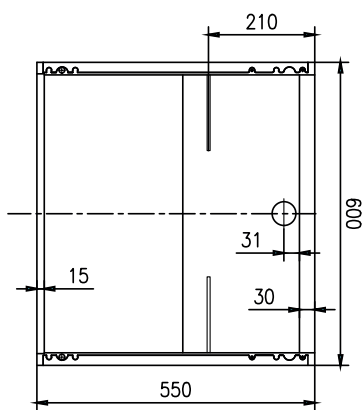
Technical drawing

Cooling cabinet 130 l glass door 2x shelf, stainless steel

Model

SAP Code

00013174



Technical data sheet



Technical parameters

Cooling cabinet 130 l glass door 2x shelf, stainless steel

Model

SAP Code

00013174

1. SAP Code:

00013174

2. Net Width [mm]:

600

3. Net Depth [mm]:

615

4. Net Height [mm]:

855

5. Net Weight [kg]:

46.00

6. Gross Width [mm]:

625

7. Gross depth [mm]:

645

8. Gross Height [mm]:

1055

9. Gross Weight [kg]:

52.00

10. Device type:

Electric unit

11. Power electric [kW]:

0.158

12. Loading:

230 V / 1N - 50 Hz

13. Energy class:

B

14. Refrigerant:

R290

15. Cooling type:

Static with fan

16. Material:

Stainless steel

17. Min ambient temperature [°C]:

10

18. Max ambient temperature [°C]:

43

19. Device properties 2:

Cooling

20. Chamber volume [l]:

130

21. Gross Volume [m3]:

0.425

22. Net Volume [m3]:

0.315

23. Worktop material:

SS201

24. Adjustable feet:

Yes

25. Insulation thickness [mm]:

40

26. Opening of device:

Two-sided

27. Gasket:

Yes

28. Number of doors:

1

Technical data sheet



Technical parameters

Cooling cabinet 130 l glass door 2x shelf, stainless steel

Model

SAP Code

00013174

29. Unit:

Yes

34. Maximum device temperature [°C]:

10

30. Control type:

Digital

35. Thaving cycle:

Yes

31. Door lock:

Yes

36. Refrigerant weight [g]:

46.00

32. Annual energy consumption [kWh]:

231

37. Number of grids:

3

33. Minimum device temperature [°C]:

0

38. Climate class:

3